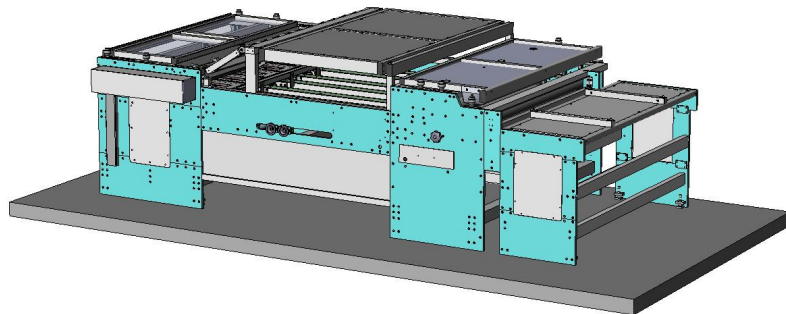
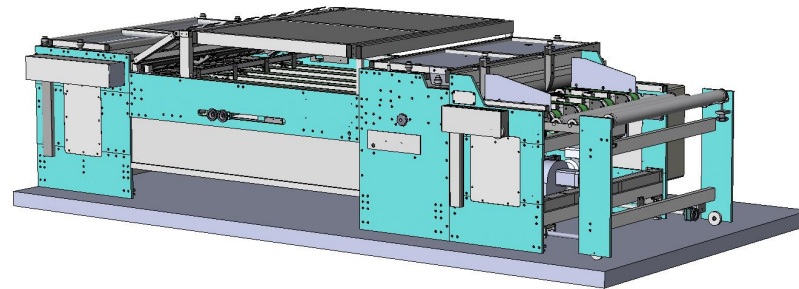
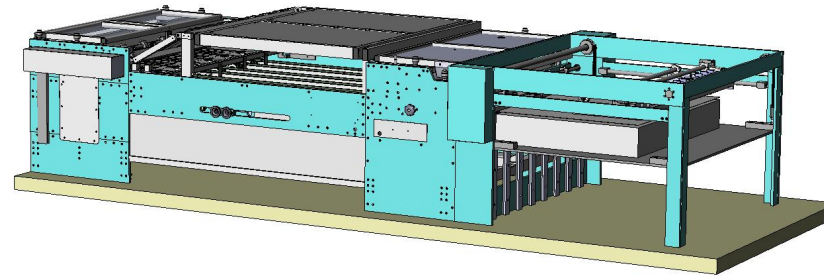
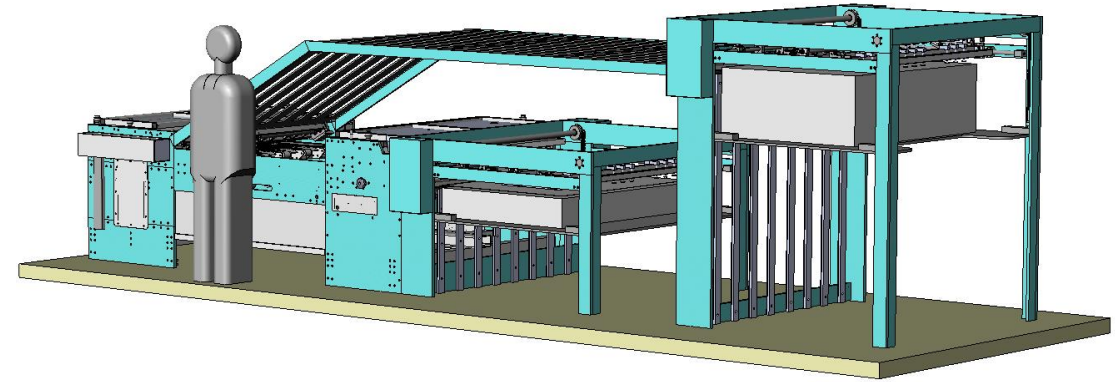


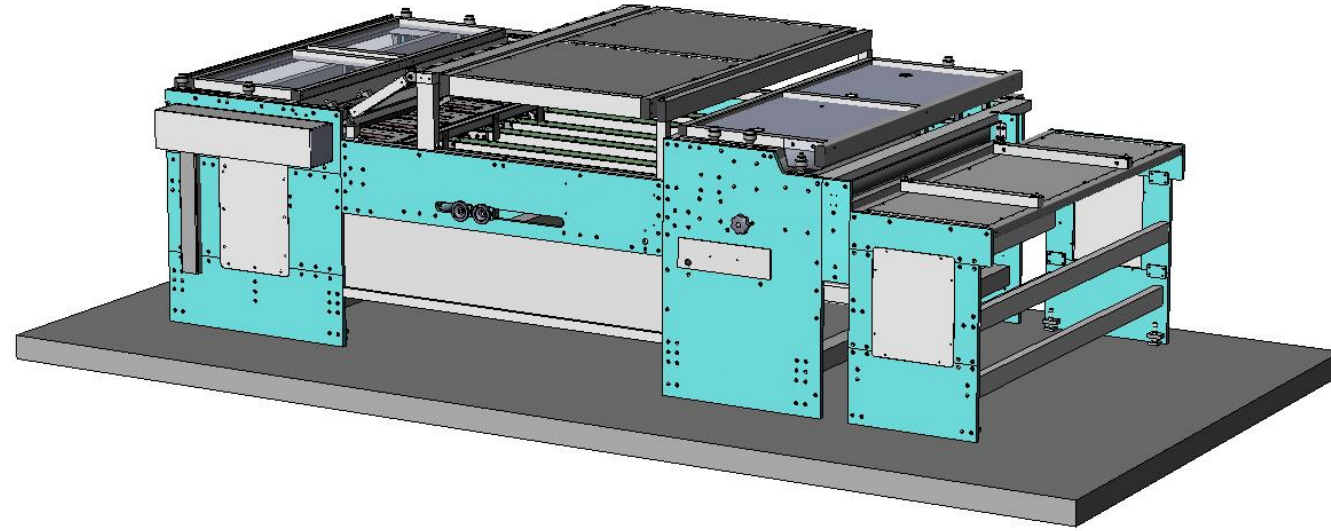


Lunding sheet to sheet laminators

From manual up to fully automatic machines ...



“BaseLine” series



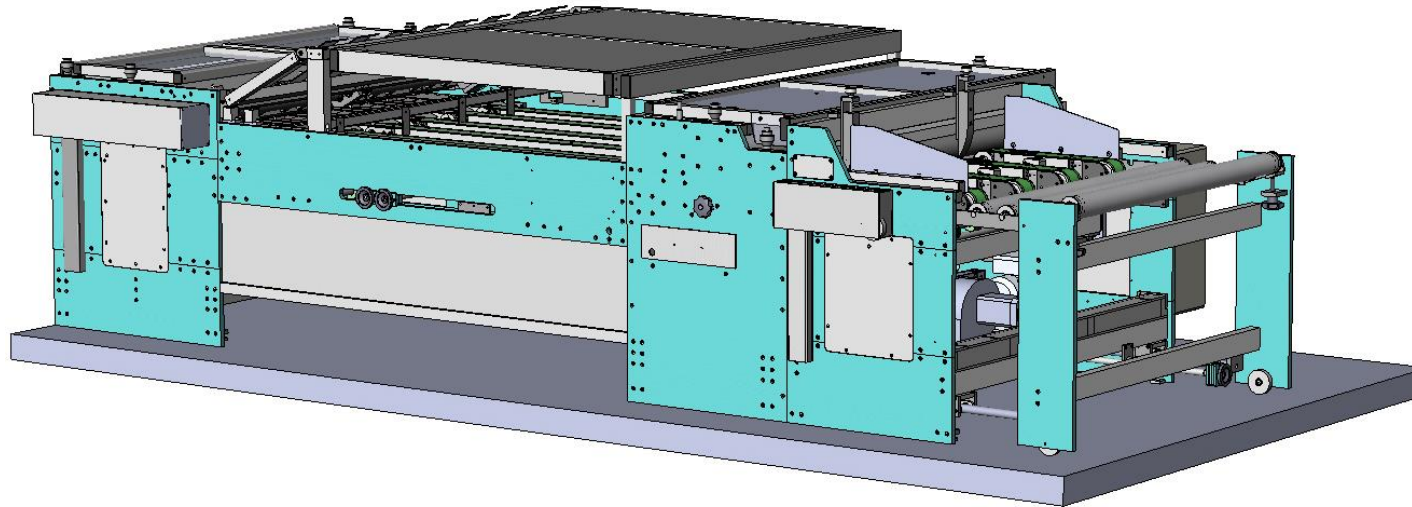
Landing manual sheet to sheet laminator, “Basic”

The easy to operate sheet to sheet laminator.

This our most basic version consists of:

- Manual feed of the substrate
- High precision glue unit
- Aligning bridge
- Manual feed of the top sheet
- Automatic laminating station

Performance : Depending of the operators



Lunding semi-automatic sheet to sheet laminator, “BaseLine 200”

The easy to operate sheet to sheet laminator for semi-automatic laminating.

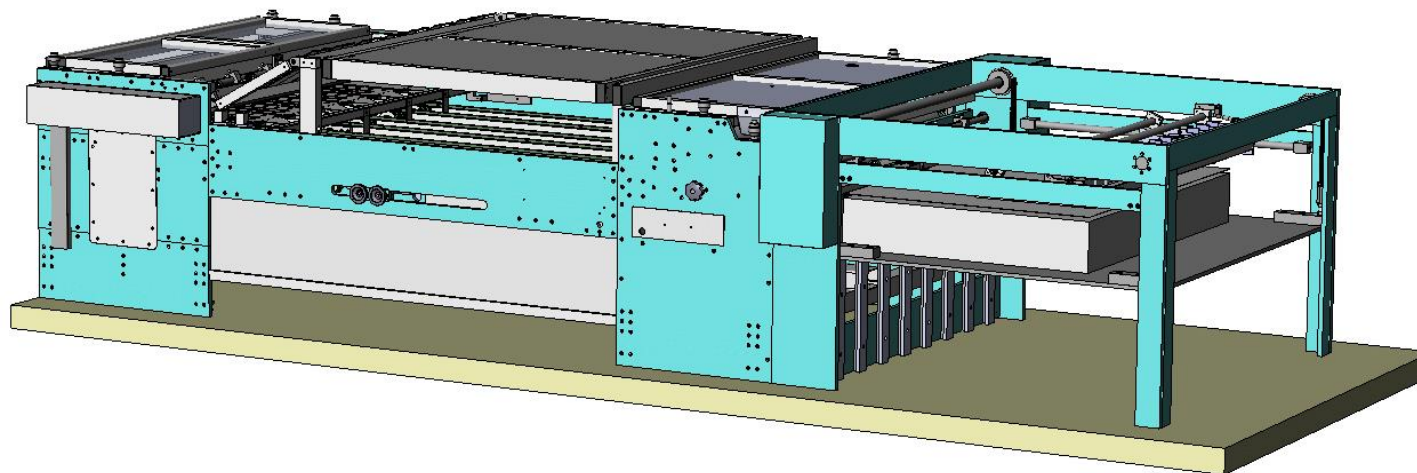
This our most basic version consists of:

- Automatic belt feeder of the substrate
- High precision glue unit
- Aligning bridge
- Manual feed of the top sheet
- Automatic high precision laminating station

Performance : Depending of the operator

See video here :

<http://lunding-international.com/200%20laminators.htm>



Landing semi-automatic sheet to sheet laminator, “BaseLine 300”

The easy to operate sheet laminator for semi-automatic laminating.

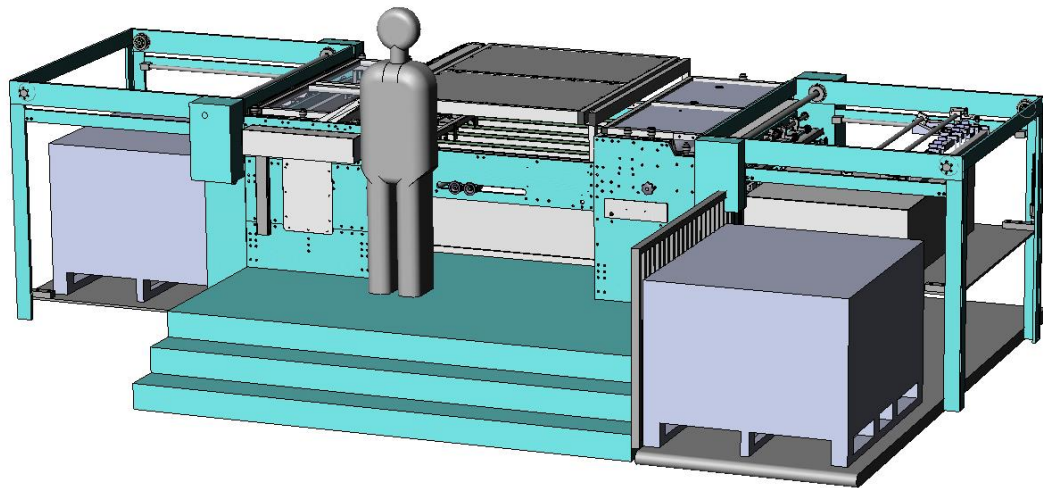
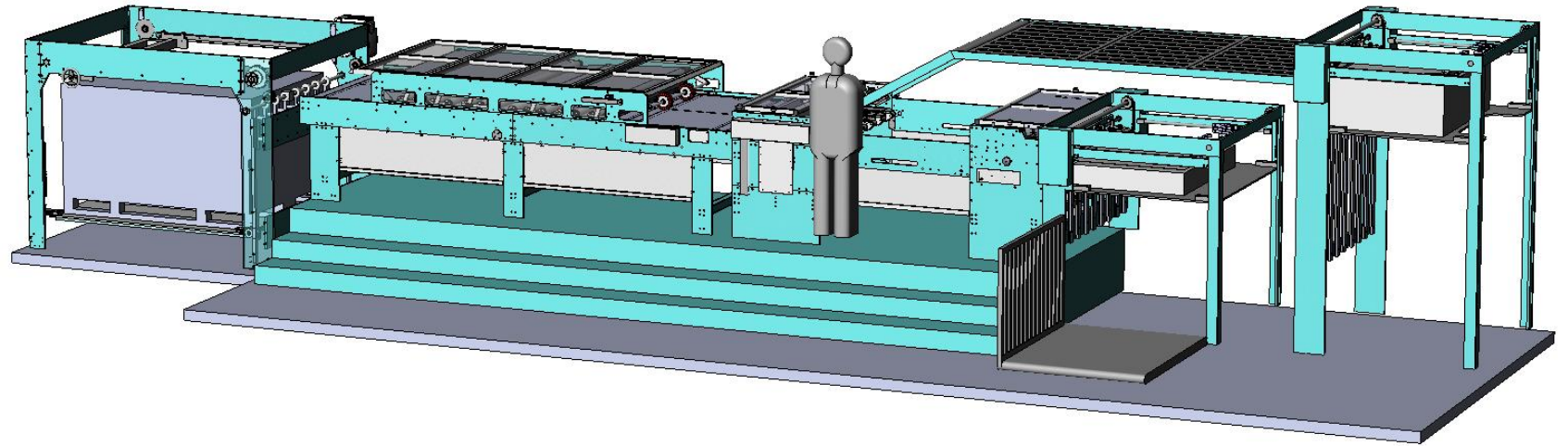
This our semi-automatic version consists of:

- Automatic suction feeder substrate
- High precision glue unit
- Aligning bridge
- Manual feed of the top sheet
- Automatic high precision laminating station

Performance : Depending of the operator



Landing sheet to sheet laminators



“HighLine” series